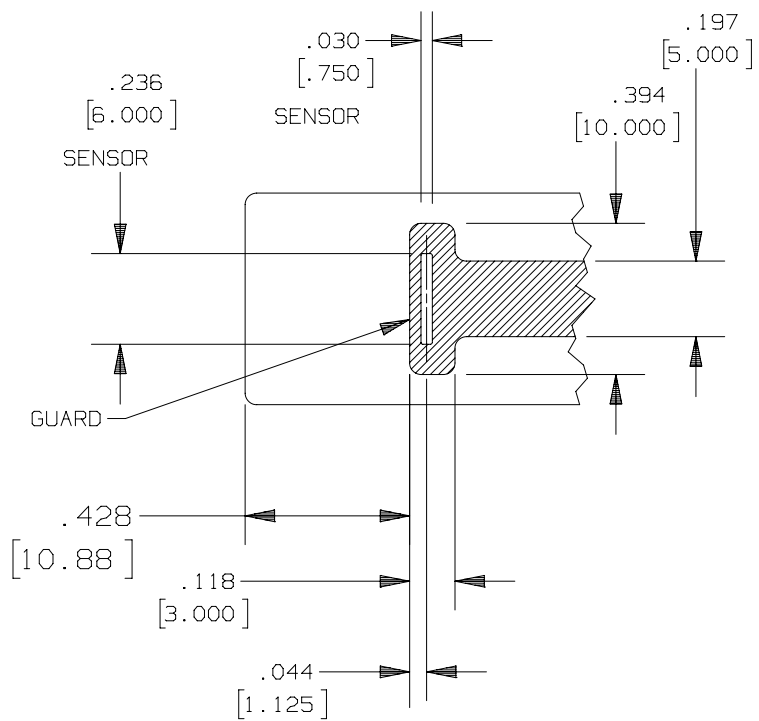


NOTES:

1. WAND MAY BE TRIMMED TO LINE SHOWN. TRIMMING BEYOND THIS POINT WILL RESULT IN SHORTING OF THE WAND.


**Capacitec**  
87 Fitchburg Rd. Ayer, MA 01432 U.S.A.

SCALE: 1:1	APPROVED:	DATE: 6-25-02
DRAWN: RAC	PROJECT NAME:	
DWG SIZE: A	DRAWING TITLE: GPD-0.75X6G-A-150-XX PROBE SHEET 1 OF 2	
SERIES NO:		DRAWING NO: 5509-6321-SD



DETAIL A  
SCALE 2:1

DIMENSIONS ARE NOMINAL VALUES

 87 Fitchburg Rd. Ayer, MA 01432 U.S.A.		
SCALE: 2:1	APPROVED:	DATE: 6-25-02
DRAWN: RAC	PROJECT NAME:	
DWG SIZE: A	DRAWING TITLE: GPD-0.75X6G-A-150-XX PROBE SHEET 2 OF 2	
SERIES NO:	DRAWING NO: 5509-6321-SD	