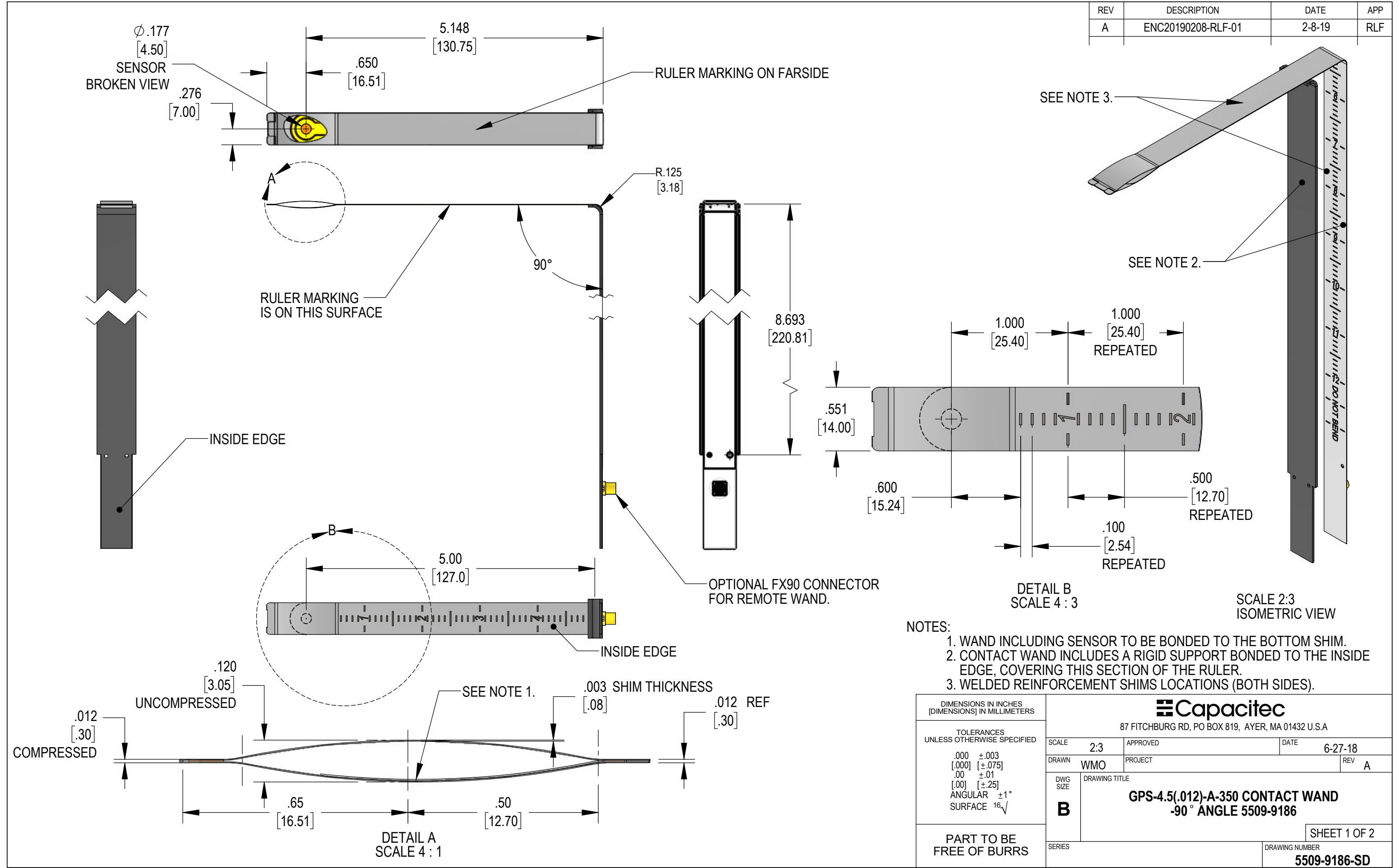


REV	DESCRIPTION	DATE	APP
A	ENC20190208-RLF-01	2-8-19	RLF



SEE NOTE 3.

SEE NOTE 2.

DETAIL B  
SCALE 4 : 3

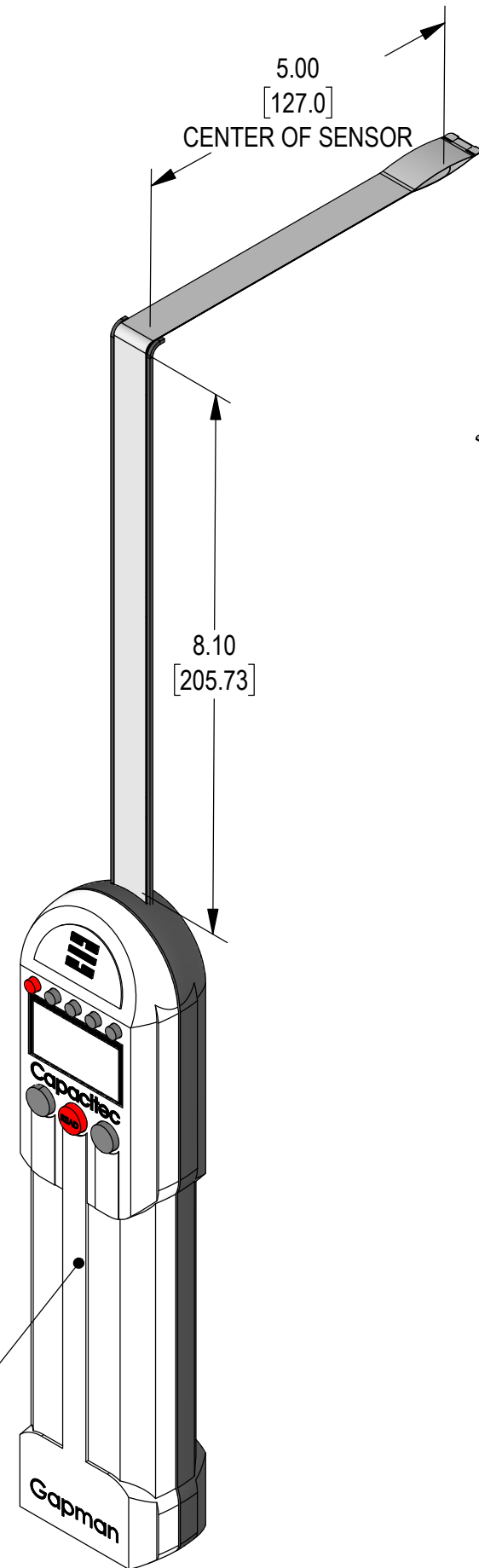
SCALE 2:3  
ISOMETRIC VIEW

- NOTES:
1. WAND INCLUDING SENSOR TO BE BONDED TO THE BOTTOM SHIM.
  2. CONTACT WAND INCLUDES A RIGID SUPPORT BONDED TO THE INSIDE EDGE, COVERING THIS SECTION OF THE RULER.
  3. WELDED REINFORCEMENT SHIMS LOCATIONS (BOTH SIDES).

DIMENSIONS IN INCHES [DIMENSIONS] IN MILLIMETERS	
TOLERANCES UNLESS OTHERWISE SPECIFIED	
.000	±.003
[.000]	[±.075]
.00	±.01
[.00]	[±.25]
ANGULAR	±1°
SURFACE	16√

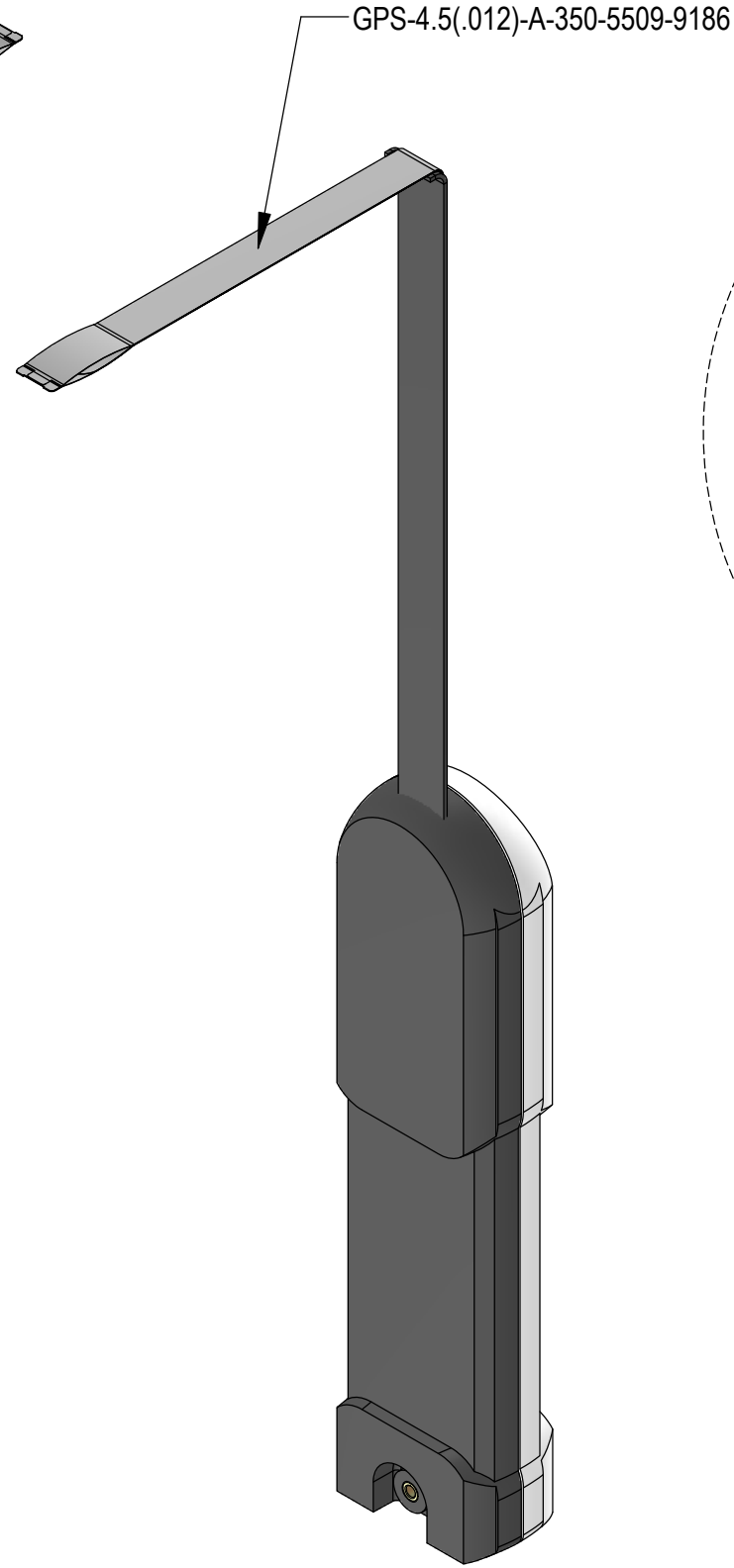
<b>Capacitec</b>			
87 FITCHBURG RD, PO BOX 819, AYER, MA 01432 U.S.A			
SCALE	2:3	APPROVED	DATE
DRAWN	WMO	PROJECT	REV A
DWG SIZE	DRAWING TITLE		
<b>B</b>	<b>GPS-4.5(.012)-A-350 CONTACT WAND -90° ANGLE 5509-9186</b>		
SHEET 1 OF 2	DRAWING NUMBER		
PART TO BE FREE OF BURRS		<b>5509-9186-SD</b>	

REV	DESCRIPTION	DATE	APP
A	ECN20190208-RLF-01	2-8-19	RLF

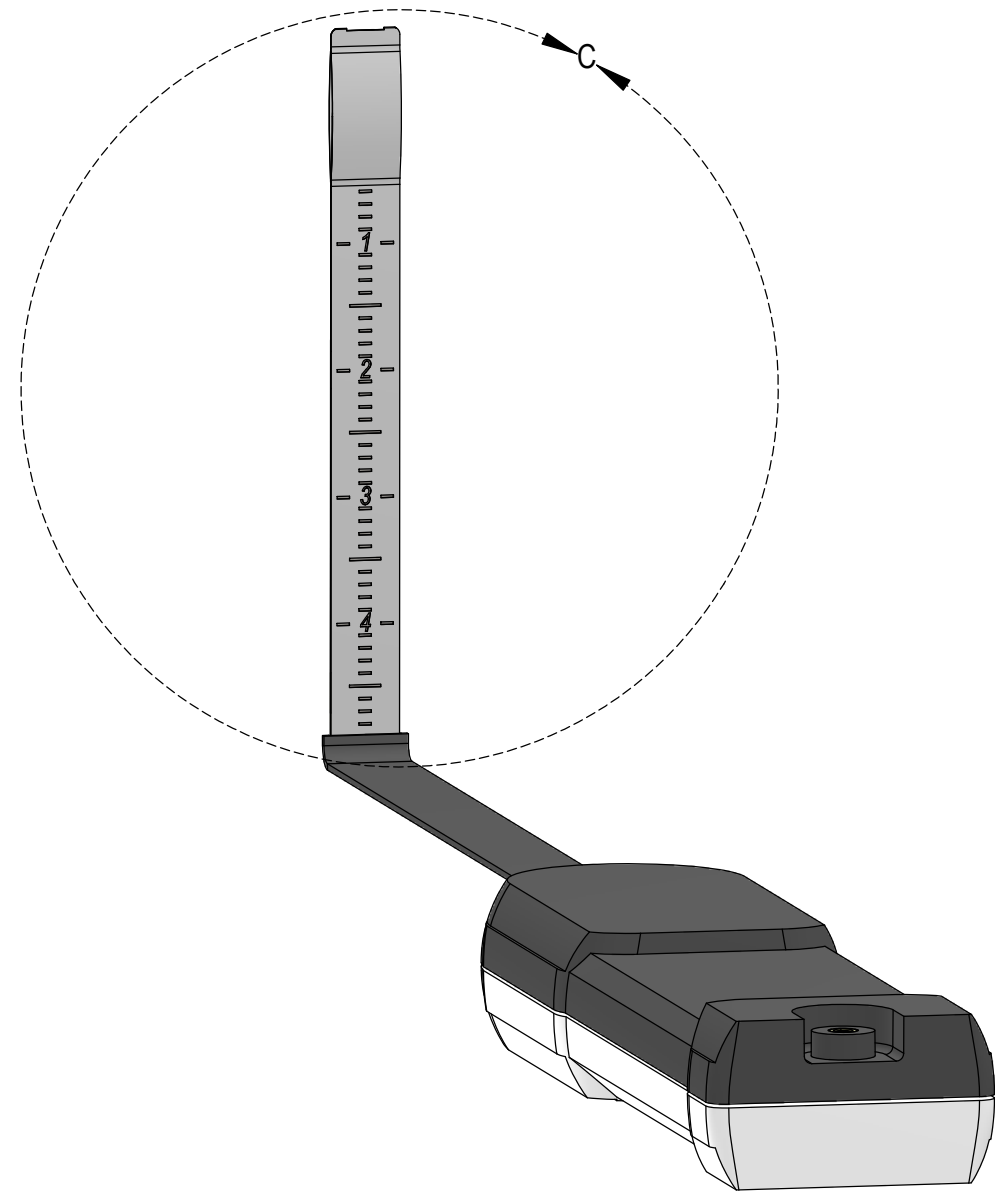


FRONT VIEW

GAPMAN 4200-GM-GEN3  
ORDER SEPARATELY  
(SEE DRAWING 5534-7819-SD)



BACK VIEW



END VIEW

DETAIL C  
SCALE 1 : 1

DIMENSIONS IN INCHES [DIMENSIONS] IN MILLIMETERS		 87 FITCHBURG RD, PO BOX 819, AYER, MA 01432 U.S.A	
TOLERANCES UNLESS OTHERWISE SPECIFIED .000 ±.003 [.000] [±.075] .00 ±.01 [.00] [±.25] ANGULAR ±1° SURFACE 16√		SCALE 1:2 DRAWN WMO DWG SIZE B SERIES	APPROVED PROJECT DATE 6-27-18 REV A DRAWING TITLE <b>GPS-4.5(.012)-A-350 CONTACT WAND          -90° ANGLE 5509-9186</b> SHEET 2 OF 2 DRAWING NUMBER <b>5509-9186-SD</b>
PART TO BE FREE OF BURRS			