

DETAIL A
SCALE 4 : 1

DIMENSIONS ARE NOMINAL VALUES

Capacitec

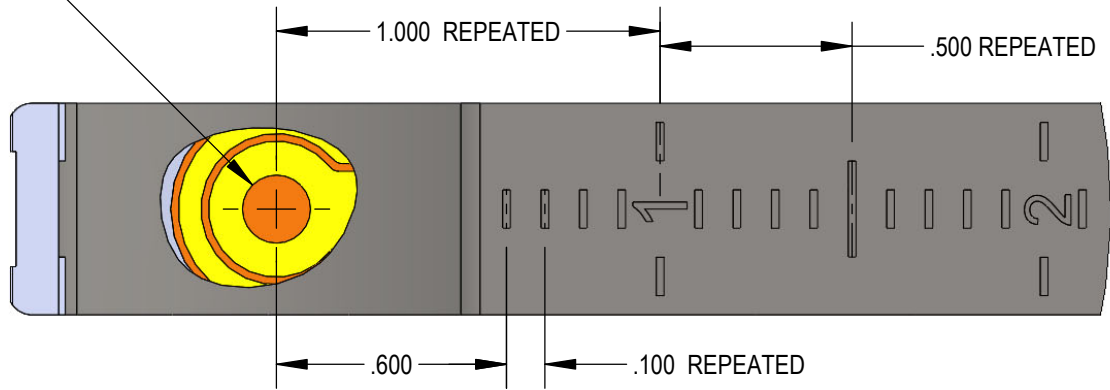
87 Fitchburg Road, Ayer, MA 01432, USA

SCALE: 1:2	APPROVED:	DATE: 6-18-18
DRAWN: WMO	PROJECT NAME:	REV: A
DWG SIZE: A	DRAWING TITLE: GPS-4.5(.012)-A-450-5509-9185	
SERIES NO:		DRAWING NO: 5509-9185-SD

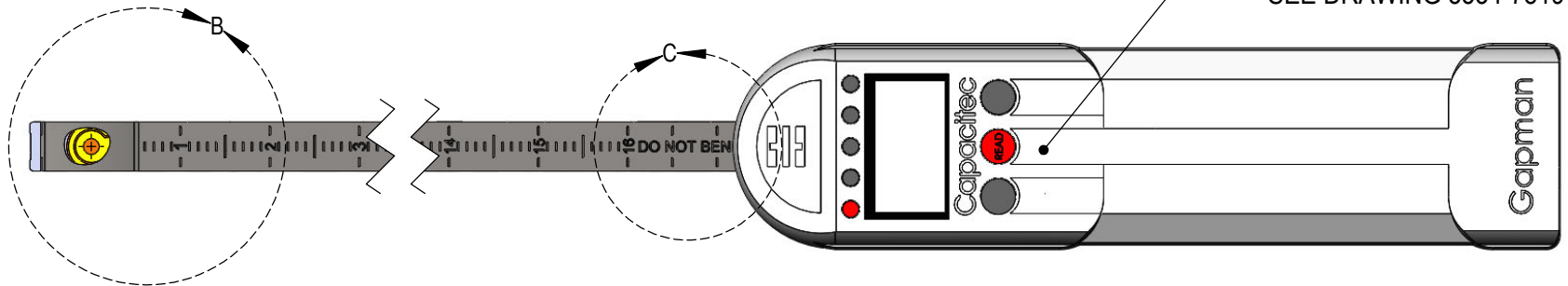
SHEET 1 OF 2

- NOTES:
1. WAND INCLUDING SENSOR BONDED TO THE BOTTOM SHIM.
 2. WELD REINFORCEMENT SHIM LOCATIONS (BOTH SIDES).

$\phi .177$
 [4.50]
 BROKEN VIEW
 SHOWING SENSOR

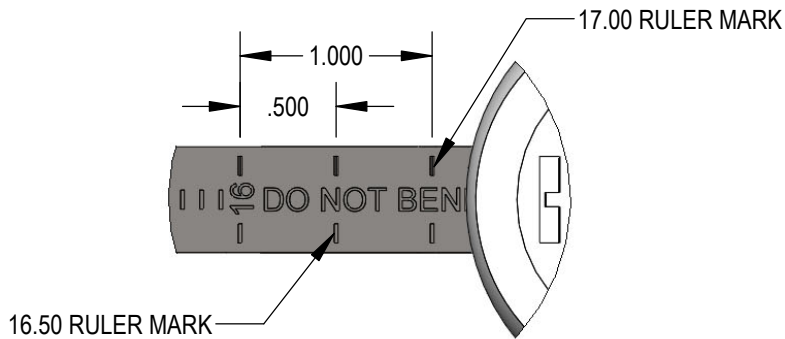


DETAIL B
 SCALE 2 : 1



GAPMAN 4200-GM-GEN 3
 ORDER SEPARATELY
 SEE DRAWING 5534-7819-SD

DIMENSIONS ARE NOMINAL VALUES



DETAIL C
 SCALE 1 : 1

Capacitec

87 Fitchburg Road, Ayer, MA 01432, USA

SCALE: 1:2	APPROVED:	DATE: 6-18-18
DRAWN: WMO	PROJECT NAME:	REV: A
DWG SIZE: A	DRAWING TITLE: GPS-4.5(.012)-A-450-5509-9185	
SERIES NO:	DRAWING NO: 5509-9185-SD	

SHEET 2 OF 2