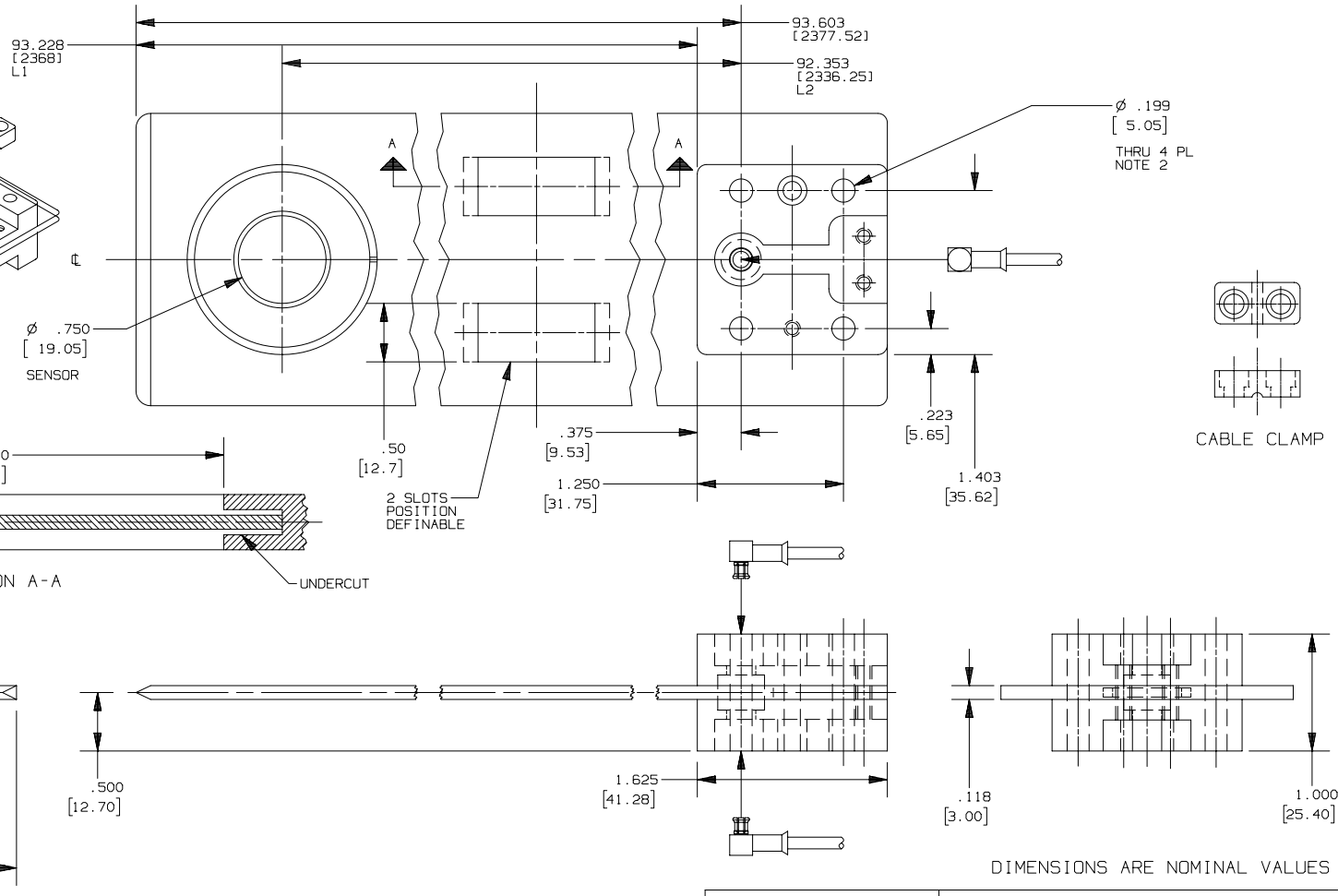


ISOMETRIC VIEW
(DO NOT SCALE)



NOTES:

1. DIMENSIONS L1, L2, AND L3 MAY BE CUSTOMER DEFINABLE.
2. HOLES WILL ACCOMMODATE 10-32 OR M4 BOLTS.

HOLDER/CABLE CLAMP MATERIALS		 87 Fitchburg Rd. Ayer, MA 01432 U.S.A.		
TYPE	REQ			SCALE: -
ACRYLIC (LUCITE)		DRAWN: RAC	PROJECT NAME:	
POLYCARBONATE (LEXAN)		DRAWING TITLE:		
HARD COATED ALUM 6061-T6		2HPB-750-SP-A-L5-7.77-FX90 DOUBLE PROBE		
		SERIES NO:		DRAWING NO:
				4509-5511-SD