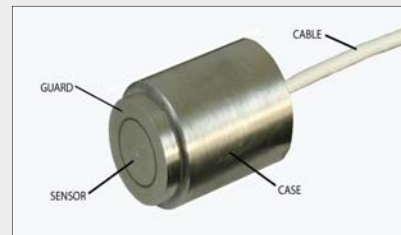


# HPC-500

## HPC-500 Series Cylindrical Probes for Precision Dimensional Measurement

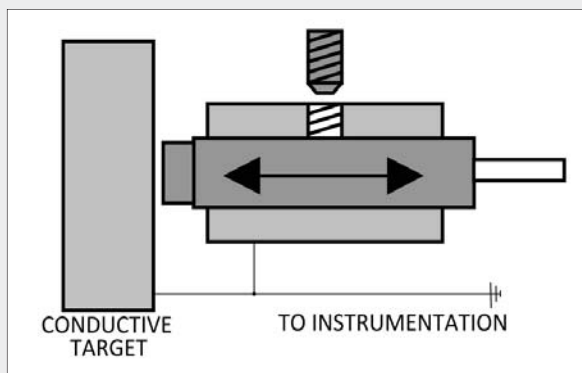
Capacitec's HPC non-contact probes are our most popular line of capacitive sensors. The sensor and guard elements are provided in a protective metal case. The HPC family of probes supports cable lengths of up to 10 meters in standard applications.

Built in wrench flats allow for easy installation and adjustments. A set screw or split clamp housing typically holds the assembly in place for easy installation and adjustments. Capacitec also offers custom configurations. Please consult the Capacitec technical support team for more information.



These probes have the largest displacement to sensor diameter ratio in the industry, yielding twice the linear range of competitors.

HPC cylindrical probes are available in a wide operational temperature range for precise measurements from cryogenic to 1000°C.



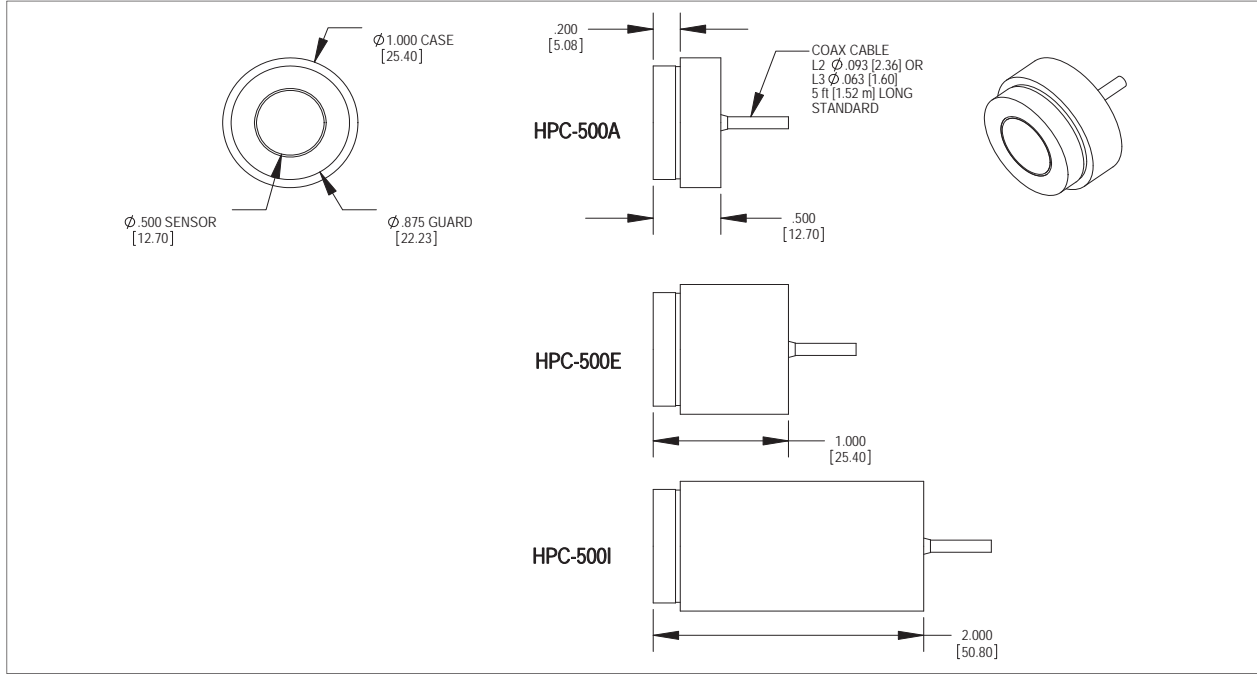
Adjust probe to desired distance and set screw in place



Complete Standard Capacitec HPC family

# Standard Temperature Probes

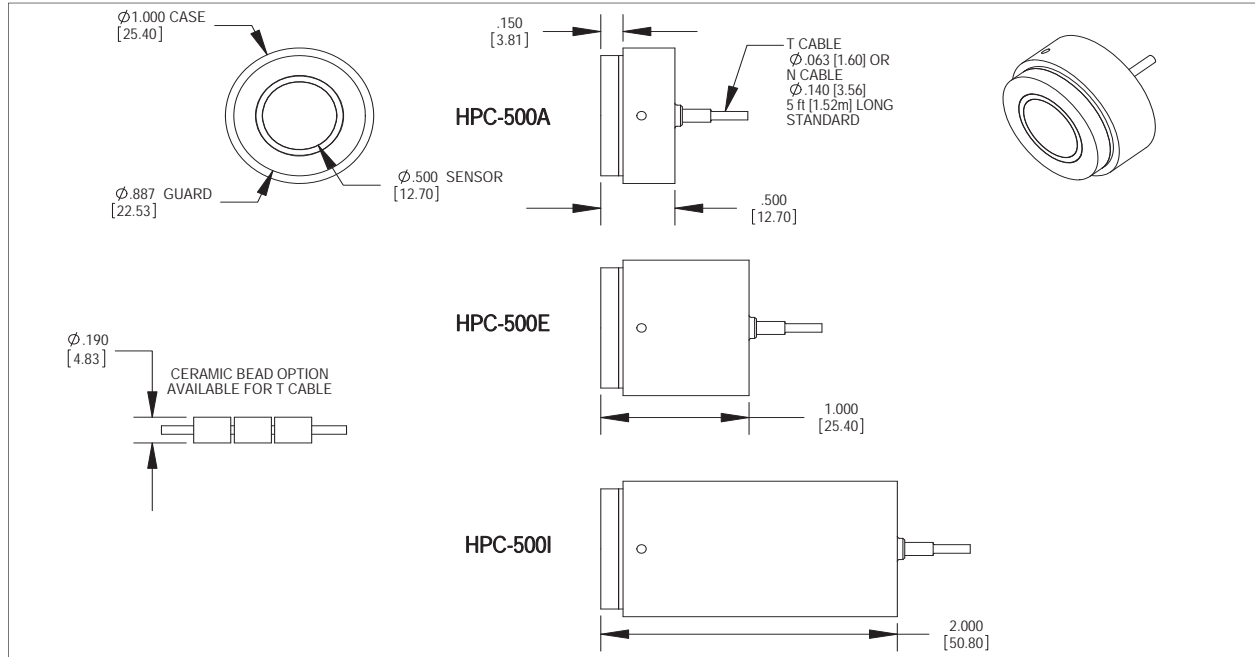
## Temperature Ranges A & E



Linear Range		0.300" [7.62]
Maximum Range		0.500" [12.70]
Material (Case, Guard and Sensor)		303 stainless steel
Standard Probe Lengths	A	0.500" [12.70]
	E	1.000" [25.40]
	I	2.000" [50.80]
	Custom	Custom lengths B to H available B .625" [15.88], C .750" [19.05], D .875" [22.23], F 1.250" [31.75], G 1.500" [38.10], H 1.750" [44.45], please consult factory
Temperature Ranges	A	32°F [0°C] to 302°F [150°C], please consult factory for cryogenic
(Continuous Use)	E	-100°F [-73°C] to 400°F [205°C], please consult factory for cryogenic
Sensor OD		0.500" [12.70]
Case OD		1.000" [25.40]
Connector Options		Microdot, BNC or MCX, (microdot and MCX not compatible with I2 cable)
Cable Options OD		L2 0.093" [2.36], L3 0.063" [1.60] or I2 0.125" [3.18], all cable must not be cut or spliced
Dip coating		Optional protective epoxy dip coating available
Calibration	NIST Traceable	20 point archived calibration record of nominal displacement versus voltage standard  Several sensitivities available
Mounting Hole		1.000" +0.002/-0.000, [25.40 +0.051/-0.000]

## High Temperature Probes

### Temperature Ranges V & S



Linear Range		0.325" [8.26]
Maximum Range		0.500" [12.70]
Material (Case, Guard and Sensor)	V	Inconel 600°
	S	Haynes 230°
Standard Probe Lengths	A	0.500" [12.70]
	E	1.000" [25.40]
	I	2.000" [50.80]
	Custom	Custom lengths B to H available B .625" [15.88], C .750" [19.05], D .875" [22.23], F 1.250" [31.75], G 1.500" [38.10], H 1.750" [44.45], please consult factory
Temperature Ranges	V	-100°F [-73°C] to 1600°F [871°C], please consult factory for cryogenic
(Continuous Use)	S	-100°F [-73°C] to 1832°F [1000°C], please consult factory for cryogenic
Case OD		1.000" [25.40]
Sensor OD		0.500" [12.70]
Connector Options		Microdot, BNC or MCX, (microdot and MCX not compatible with N cable)
Cable Options OD		T 0.063" [1.60] or N 0.140" [3.56], all cable must not be cut or spliced
Dip Coating		Custom coatings available, please consult factory
Calibration	NIST Traceable	20 point archived calibration record of nominal displacement versus voltage standard Several sensitivities available
Mounting Hole		1.000" +0.002/-0.000, [25.40 +0.051/-0.000]

## Ordering Format



HPC – 500	X	-	X	-	XX	-	XX	-	X	-	X
PROBE LENGTH	OPERATING TEMPERATURE	CABLE TYPE	CABLE LENGTH	CONNECTOR TYPE	DIP COATING						
A - .500" (12.70)	Standard Temperature A - 32 to 302°F (0 to 150°C)	L2 - .093" coax (2.36)	5 - 5' Standard (1524)	M - 10-32 Microdot (Not compatible with I2 or N cable) B - BNC MCX - MCX (Not compatible with I2 or N cable)	D - For dip coating (only available for A and E temperature probes) Adds .002" (0.05)  Leave blank for no coating						
B - .625" (15.88)		L3 - .063" coax (1.60)	X - Other in ft.								
C - .750" (19.05)	E - -100 to 400°F (-73 to 205°C)	I2 - .125" coax (3.18)									
D - .850" (21.59)											
E - 1.000" (25.40)	High Temperature	T - High Temp .063" semi rigid coax (1.60)									
F - 1.250" (31.75)											
G - 1.500" (38.10)	V - -100 to 1600°F (-73 to 871°C)	N - High Temp .140" braided coax (3.56)									
H - 1.750" (44.45)											
I - 2.000" (50.80)	S - -100 to 1832°F (-73 to 1000°C)	N2 - N cable with Nextel Over Braid									

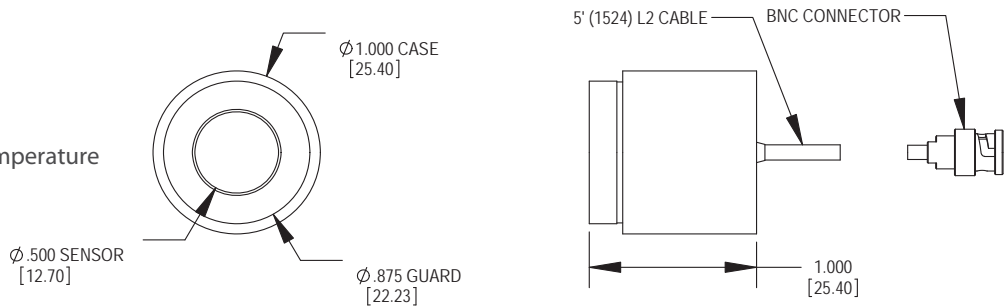
Specify Beads or Over Braid if Desired

(DIMENSIONS) IN MILLIMETERS

EXAMPLE: HPC-500E-E-L2-5-B-D

HPC-500 with

- 400°F [205°C] Max temperature
- Dip coating option



**US HEADQUARTERS**  
 Capacitec, Inc.  
 87 Fitchburg Road  
 P.O. Box 819  
 Ayer, Massachusetts 01432  
 USA  
 TEL: 978-772-6033  
 FAX: 978-772-6036  
 email: sales@capacitec.com  
 www.capacitec.com

**EUROPEAN HEADQUARTERS**  
 Capacitec Europe  
 16, rue Séjourné  
 94044 CRETEIL cedex  
 FRANCE  
 TEL: 33 1 43 39 48 68  
 FAX: 33 1 49 80 07 49  
 email: eurosales@capacitec.com  
 http://fr.capacitec.com