



## HPB- 75 Button Probe Temperature Ranges A and E

### Specifications

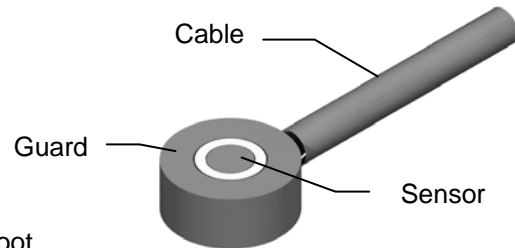
#### Temperature Ranges:

##### Temperature Range A

Low: 32° F [0° C]  
High: 302° F [150° C]

##### Temperature Range E

Low: -100° F [-73° C]  
High: 400° F [205° C]



**Linear Range:** : 0.050 inches [1.27 millimeters] with a 5 foot [1.52 meters] long Capacitec L2 cable. For cables longer than 5ft consult factory.

**Maximum Range:** 0.075 inches [1.91 millimeters]

#### Calibration:

- A 20 point archived calibration record of voltage output versus nominal displacement is provided standard with every probe.
- Several NIST traceable calibrations are available.

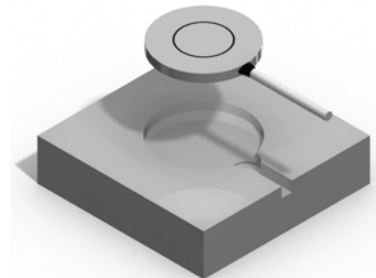
**Material:** Case, guard, and sensor are 303 stainless steel

**Driven Guard:** The guard element is driven with an electronic voltage of 2V to 20V peak to peak. Note, guard must not be grounded.

**Dip Coating:** "-D" epoxy dip coatings are optional to prevent accidental earth grounding or shorting of the elements.

#### Mounting:

- Capacitec HPB probes are intended to be mounted within a countersink.
- See mounting drawing on page 6 for details.



#### Cable:

- Coaxial Capacitec L2 or L3 cable is standard.
- Probe must be calibrated with the cable type and length selected.
- Cable must not be cut or spliced.

**Probe Thickness:** There is one standard thickness and 2 non-standard thicknesses. See drawing for dimensions.



## HPB- 75 High Temperature Button Probe Temperature Ranges V and S

### Specifications

#### Temperature Ranges:

##### Temperature Range V

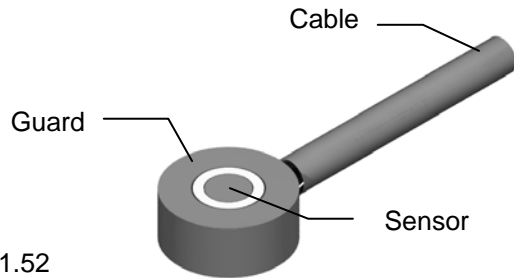
Low: -100° F [-73° C]

High: 1600° F [871° C]

##### Temperature Range S

Low: -100° F [-73° C]

High: 1832° F [1000° C]



**Linear Range:** 0.050 inches [1.27 millimeters] with a 5 foot [1.52 meters] long Capacitec T cable. For cables longer than 5ft consult factory.

**Maximum Range:** 0.075 inches [1.91 millimeters]

#### Calibration:

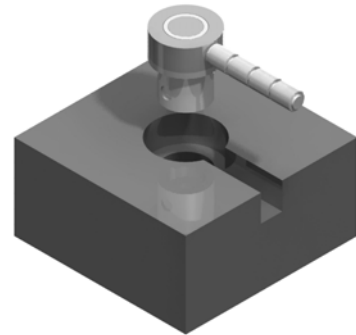
- A 20 point archived calibration record of voltage output versus nominal displacement is provided standard with every probe.
- Several NIST traceable calibrations are available.

**Material:** Case, guard, and sensor are Inconel 600<sup>®</sup> (range V) or Haynes 230<sup>®</sup> (range S)

**Driven Guard:** The guard element is driven with an electronic voltage of 2V to 20V peak to peak. Note, guard must not be grounded.

#### Mounting:

- Capacitec HPB probes are intended to be mounted within a countersink.
- See mounting drawing on page 7 for details.



#### Cable:

- High temperature insulated Capacitec T type, is standard.
- Probe must be calibrated with the cable type and length selected.
- Cable must not be cut or spliced.

**Probe Lengths:** There is one standard thickness. See drawing for dimensions.



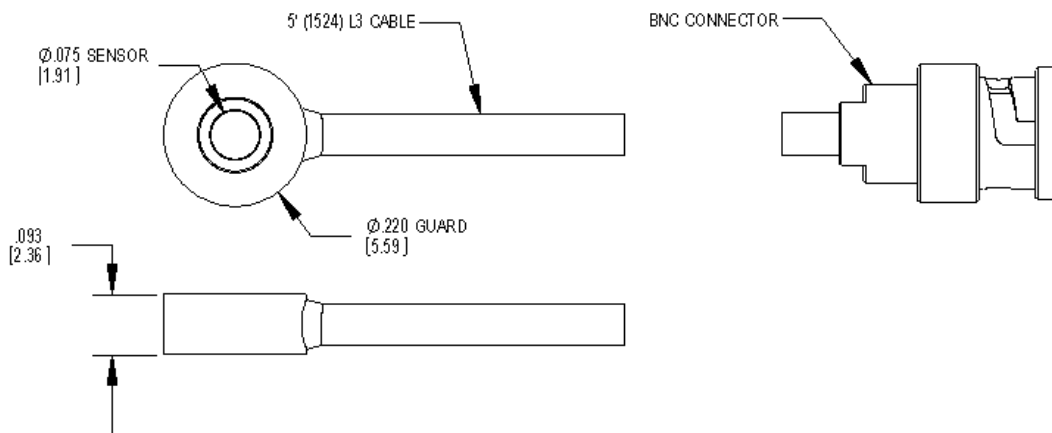
## HPB- 75 Button Probe Part Number Reference Guide

HPB – 75	X	-	X	-	XX	-	XX	-	X					
PROBE THICKNESS					OPERATING TEMPERATURE				CABLE TYPE		CABLE LENGTH		CONNECTOR TYPE	
A - .093" (2.36)			A - 32 to 302°F (0 to 150°C)		L2 - .093" coax (2.36)		5 - 5' Standard (1524)		M – 10-32 Microdot  B – BNC					
B - .065" (1.65)			E - -100 to 400°F (-73 to 205°C)		L3 - .063" coax (1.60)		X - Other in ft.		MCX – MCX					
C – (High Temp) .125" (3.18)			V - -100 to 1600°F (-73 to 371°C)		T – (High Temp) .063" coax (1.60)									
			S - -100 to 1832°F (-73 to 1000°C)		N3 – (High Temp) .080" coax (2.03)									

(DIMENSIONS) IN MILLIMETERS

### EXAMPLE: HPB-75A-A-L3-5-B

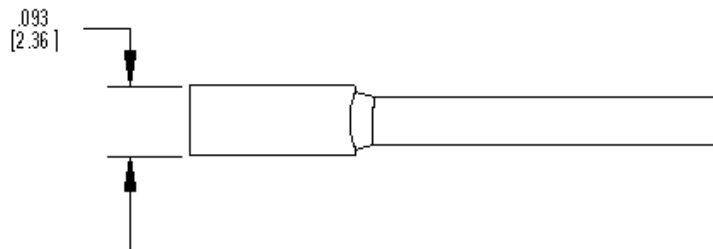
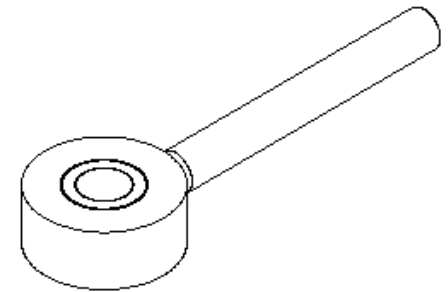
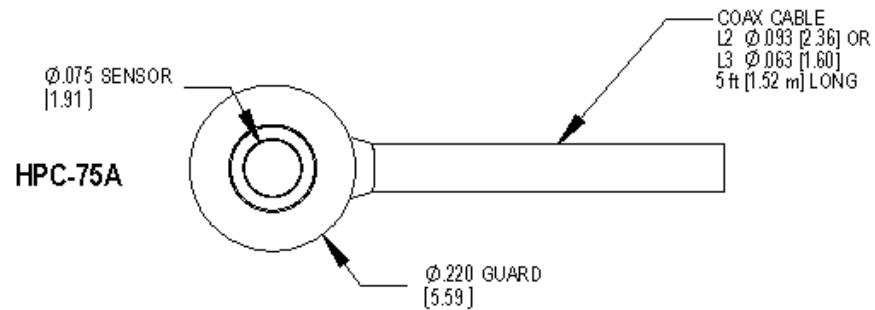
**HPC-75A**  
A TEMPERATURE RANGE



  
**HPB-75**  
**Standard Button Probe**  
**Temperature Ranges A and E**  
**Length A**  
 DIMENSIONS ARE NOMINAL VALUES

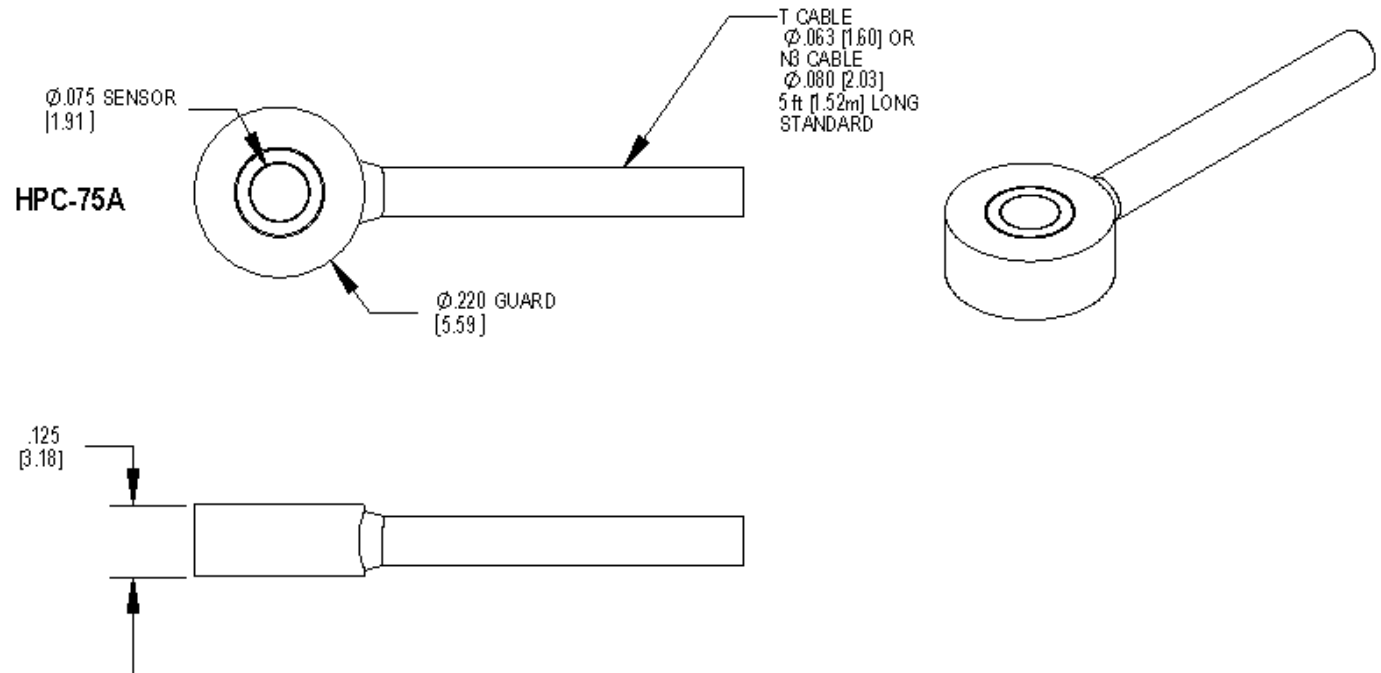
CUSTOM THICKNESS OPTIONS	
OPTION	THICKNESS
B	.065 [1.65]
C	.125 [3.17]

OPTION	TEMPERATURE RANGE			
	RANGE (°F)		RANGE (°C)	
	LOW	HIGH	LOW	HIGH
A	32 °	302 °	0 °	150 °
E	-100 °	400 °	-73 °	205 °




**Capacitec**  
**HPB-75**  
**Standard High Temperature**  
**Button Probe**  
**Temperature Ranges V and S**  
**Thickness C**

DIMENSIONS ARE NOMINAL VALUES

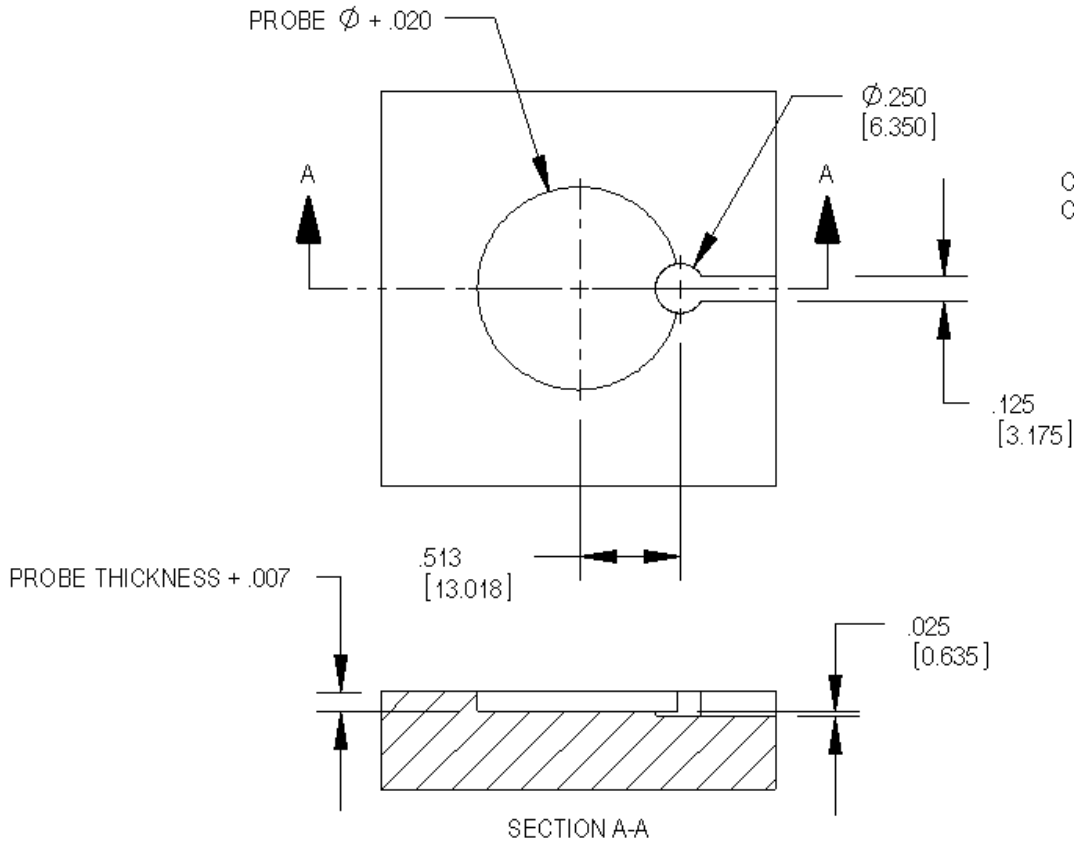


TEMPERATURE RANGE				
OPTION	RANGE (°F)		RANGE (°C)	
	LOW	HIGH	LOW	HIGH
V	-100°	1600°	-73°	871°
S	-100°	1832°	-73°	1000°

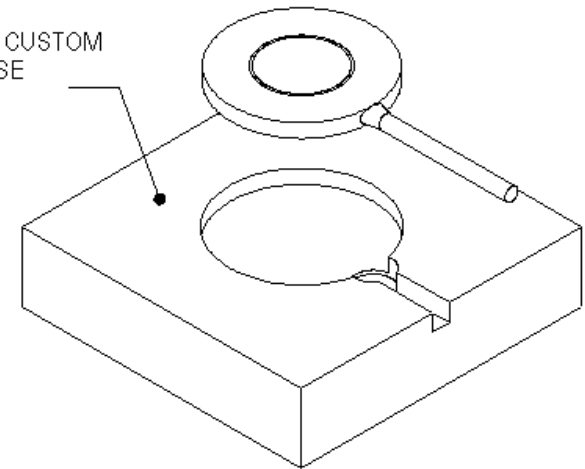
# Capacitec

## Standard Button Probe Install

### Temperature Ranges A and E



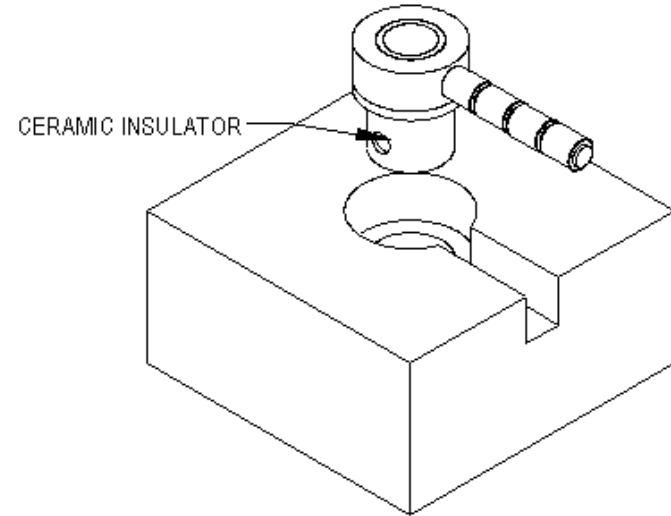
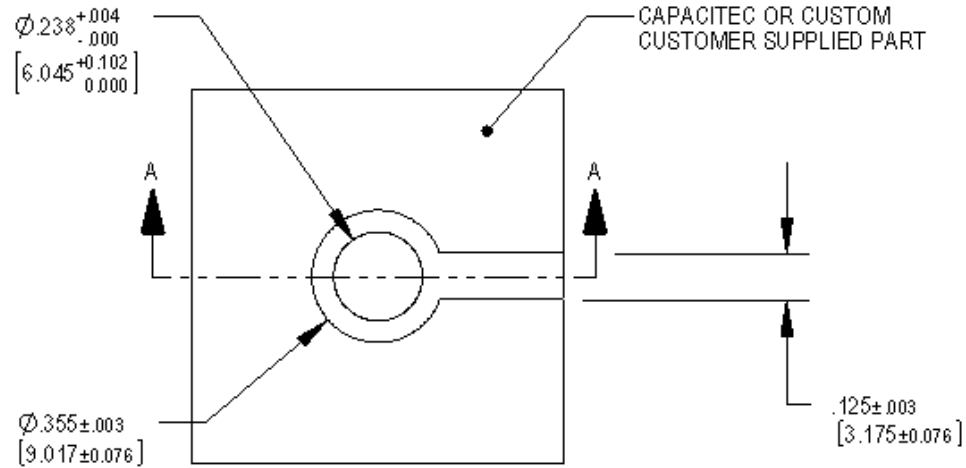
CAPACITEC SUPPLIED OR CUSTOM  
CUSTOMER SUPPLIED CASE



TYPICALLY CAPACITEC INSTALLED

# Capacitec

## Standard High Temperature Button Probe Install Temperature Ranges V and S



TYPICALLY CAPACITEC INSTALLED

